

Flat Oval Spiral Duct & Fittings

Standards & Dimensional Data
For Air Duct & Fittings

www.AirsideSheetmetal.com

973-786-6967 (Office)

973-786-6474 (fax)



by Airside Sheetmetal Fabricators, Inc. - 2022

SINGLE WALL

All flat oval spiral duct and fittings shall be manufactured from G-60/G-90 galvanized steel, conforming to SPIDA, ASTM and SMACNA standards.

Additional Material Options: Galvanneal (paint grip), Stainless Steel, Aluminum, Polyvinyl Coated Ductwork (PCD), and Perforated.

Flat Oval Spiral Pipe manufactured using Spiral Helix Equipment.

Standard elbows will have 1.5 centerline radius. Other radii and vanded elbows are available as needed. Elbows shall be gore-locked construction.

Branch connections in medium pressure systems shall be conical for 90 degree taps, and straight for 45 degrees. Seams and tap connections shall be tack welded.

Standard connections are slip fit with couplings. Accuflange are available for special order.

DOUBLE WALL

Shop Standard: Outer Wall Galvanized, Inner Wall Galvanized with Accuflange Rings. Slip fit with couplings available for special order.

Double Wall insulated spiral available with 1" or 2" fiberglass acoustical insulation. Armaflex Insulation available for special order.

Additional Material Options: Galvanneal (paint grip), Stainless Steel, Aluminum, Polyvinyl Coated Ductwork (PCD), and Perforated.

TEDLAR® (PVF PolyVinylFluoride) duct wrap as a barrier between perforated liner and insulation available for special order.

ACCUFLANGE



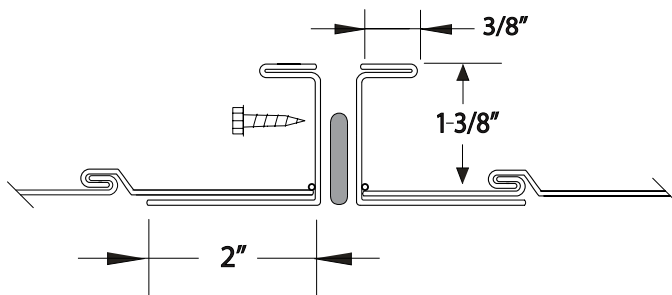
ROUND AF



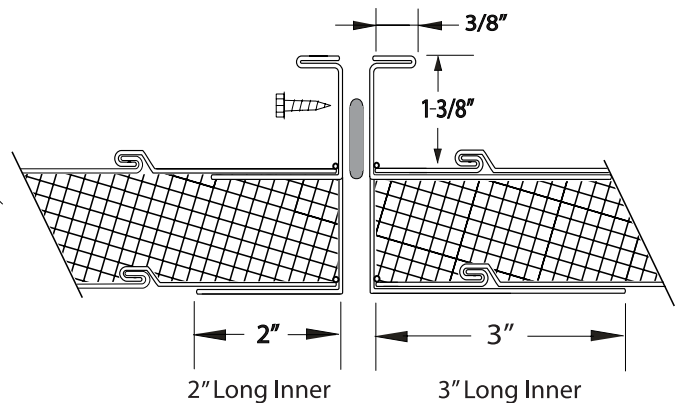
OVAL AF

ITEM CODE	WALL CODE	A or A ₂ (Oval Minor)	MATERIAL	GAUGE	SEAM	PRESSURE CLASS
AF	SW, 1DW, 2DW, 3DW	6"–28" (Even & Odd Sizes)*	Galvanized, Galvanseal, 304 SS, 316 SS, Aluminum & PVC Coated	18	SWB	+10" W.G. to -10" W.G. SMACNA HVAC D.C.S.
		30"–58" (Even Sizes)		18		
		60"–74" (Even Sizes)		16		
		76"–96" (Even Sizes)		14		

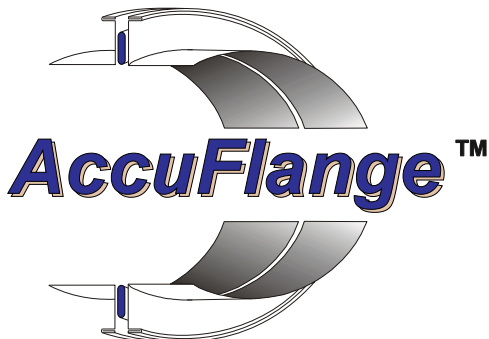
* 6"–14" stainless and aluminum have a small face.



SINGLEWALL (SW)



DOUBLEWALL
(Specify 1DW, 2DW or 3DW)



U.S. Patent No. 5,983,496

The patented AccuFlange™ connecting system, installed and sealed per Spinfinity's recommendations, is suitable for use on all systems across a range of internal duct pressures from 10" W.G. positive to 10" W.G. negative.



DECIMAL SIZING

SPIRAL	MINOR AXIS																		
	3	4	5	6	8	10	12	14	16	18	20	22	24	26	28	30	32	34	36
9	12.4																		
10	14.2	13.6	13.0	12.2															
11	16.0	15.5	15.0	14.4															
12	17.2	16.6	16.0	15.4															
13	18.1	17.6	17.0	17.2															
14	20.4	20.0	19.4	18.8	17.8														
15				20.4	19.3	18.2													
16		23.0	22.2	22.0	20.9	19.8	18.6												
17				23.5	22.5	21.3	20.2												
18				25.1	24.1	22.9	21.8	20.6											
19				26.7	25.6	24.5	23.4	22.2	21.1										
20				28.3	27.2	26.1	24.9	23.8	22.7										
22				31.5	30.4	29.3	28.1	27.0	25.8	24.7									
24				34.6	33.6	32.4	31.3	30.1	29.0	27.9	26.7								
26				37.8	36.7	35.6	34.4	33.3	32.2	31.0	29.9	28.7							
28				40.9	39.9	38.7	37.6	36.5	35.3	34.2	33.0	31.9	30.7						
30				44.1	43.0	41.9	40.8	39.6	38.5	37.3	36.2	35.1	33.9	32.8					
32				47.3	46.2	45.1	43.9	42.8	41.6	40.5	39.4	38.2	37.1	35.9	34.8				
34				50.4	49.4	48.2	47.1	46.0	44.8	43.7	42.5	41.4	40.2	39.1	38.0	36.8			
36				53.6	52.5	51.4	50.3	49.1	48.0	46.8	45.7	44.5	43.4	42.3	41.1	40.0	38.8		
38				56.8	55.7	54.6	53.4	52.3	51.1	50.0	48.5	47.7	46.6	45.4	44.3	43.1	42.0	40.9	
40				59.9	58.9	57.7	56.6	55.4	54.3	53.2	52.0	50.9	49.7	48.6	47.4	46.3	45.2	44.1	42.9
42				63.1	62.0	60.9	59.7	58.6	57.5	56.3	55.2	54.0	52.9	51.8	50.6	49.5	48.3	47.3	46.1
44				66.3	65.2	64.1	62.9	61.8	60.6	59.5	58.3	57.2	56.1	54.9	53.8	52.6	51.5	50.4	49.3
46				69.4	68.3	67.2	66.1	64.9	63.8	62.7	61.5	60.4	59.2	58.1	56.9	55.8	54.7	53.6	52.4
48				72.6	71.5	70.4	69.2	68.1	67.0	65.8	64.7	63.5	62.4	61.2	60.1	59.0	57.8	56.8	55.6
50				75.7	74.7	73.5	72.4	71.3	70.1	69.0	67.8	66.7	65.6	64.4	63.3	62.1	61.0	59.9	58.8
52				78.9	77.8	76.7	75.6	74.4	73.3	72.1	70.9	69.9	68.7	67.6	66.4	65.3	64.1	63.1	61.9
54				82.1	81.0	79.9	78.7	77.6	76.5	75.3	74.2	73.0	71.9	70.7	69.6	68.5	67.3	66.2	65.1
56				85.2	84.2	83.0	81.9	80.7	79.6	78.5	77.3	76.2	75.0	73.9	72.8	71.6	70.5	69.4	68.3
58						86.2	85.1	83.9	82.8	81.6	80.5	79.3	78.2	77.1	75.9	74.8	73.6	72.6	71.4
60								87.1	85.9	84.8	83.7	82.5	81.4	80.2	79.1	77.9	76.8	75.7	74.6
SPIRAL	MAJOR AXIS																		

